

Z-LINE

S203T / S203TA

Triple-Phase Network Analyzer / RS485 Modbus

Special modules



- ▶ INPUT: up to 600 Vac, 5 Arms (S203TA), 100mA (S203T)
- ▶ OUTPUT: N.1 channel current 0..20, 4..20 mA or voltage 0..5, 0..10 Vdc
- ▶ INTERFACE:
 - RS485 serial communication with Modbus–RTU protocol
 - Analogue output configurable to Vrms, Irms, Watt (bi-directional), cosΦ
- ▶ Insertion: single phase, Aron (three-phase with N.2 CT), four wires (three-phase with N.3 CT)
- ▶ Accuracy: 0,5% (S203TA), 0,2% (S203T)
- ▶ Galvanic isolation @ 3,75 KV
- ▶ Din rail mounting
- ▶ Power supply: 10..40 Vdc, 19..28 Vac

TECHNICAL SPECIFICATIONS

S203T / S203TA - Triple-Phase Network Analyzer / RS485 Modbus



SERIAL LINE ACCESSORIES

- **K107A** – RS485 ↔ RS485 isolator repeater
- **K107B** – RS232 ↔ RS485 converter
- **K107USB (S107USB)** – USB ↔ RS485 converters din rail mounting or portable version (S107USB)

GENERAL FEATURES

Power supply	10÷40Vdc, 19÷28 Vac
Channels	single phase, Aron (three-phase with N.2 CT), four wires (three-phase with N.3 CT)
Accuracy	- 0,5% (S203TA) - 0,2% (S203T)
Status indicators	- Power - Fail - Communication on Rs485
Galvanic Isolation	- Input/Power supply and Input/Output at 3750 Vac - others at 1.500 Vac
Hot swapping	Yes
Power consumption	max 2,5 W
Protections for inputs	Against Surges: up to 4kV
Humidity	30..90% a +40°C (not condensing)
Response time	400 ms

INPUT

- Voltage:** max 600 Vac, 50-60 Hz
- Current:** 5 Arms (S203TA), 100mA from CT (S203T)
- **Single phase**
- **Aron** (three phase with N.2 CT)
- **Four wires** (three-phase with N.3 CT)

ORDER CODE

Cod.

-S203T (input 100mA, from CT)

-S203TA (input 5A)

Accessories & Software

-TA15: Current transformer (CT) - 15A / 100 mA

-TA25: Current transformer (CT) - 25A / 100 mA

-TA100: Current transformer (CT) - 100A / 100mA

Z-NET3 - configuration software downloading from www.seneca.it

Design	Terminal housing for mounting on 35 mm DIN 46277
Data memory	EEPROM for all configuration data; storage time: 10 years.
DIP Switch	- Address setting - Baud rate setting - Selection of insertion type - Selection of 3 phase o 1 phase - Output
Enclosure	"V0" self-extinguishing glass filled nylon case
Dimensions	105 x 89 x 60 mm (w x h x d)
Weight	About 300 g
Operating temperature	-10..+65 °C
Connections	Removables 3- way screw terminals, 5,08 mm
IP Protection	IP 20
Standards	EN61000-6 EN61010-1 EN60742
Approvals	CE

INTERFACE / OUTPUT

- Rs485 Modbus RTU slave:** 1200...115200 baud rate
- Analogue output:** corresponding at Vrms, Irms, Watt, cosΦ

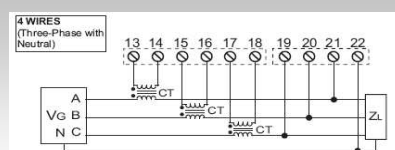
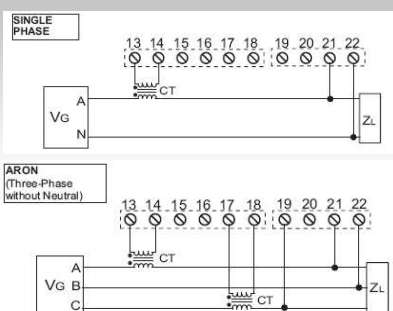
DIMENSIONS AND INSTALLATION

Power supply

RS485



Inputs



Outputs

